



INSTALLATION INSTRUCTIONS

Compression Cord Lock (rewiring of floats required)

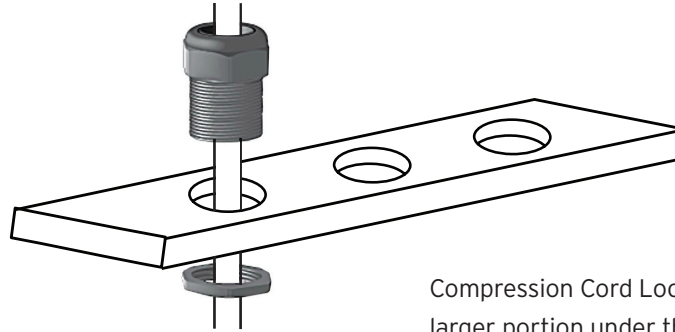
WORKS BEST WITH: Circle FARMD-Bar Flat or Angle - 3, 4, 6

1. Install top and bottom threaded pieces of the cord lock in place on the FARMD-Bar

2. Thread the float cable through the cord lock and the FARMD-Bar

3. Adjust the cable to the desired length

4. To lock the cable in place, tighten the top and the bottom of the cord lock with wrenches.



Compression Cord Lock can also be installed with the larger portion under the bar and the nut tightened on top.



PERIMETER
PUMP & POWER

FARMD-Bar
System™

farmdbarsystems.com

Perimeterservice@icloud.com

604-988-4545