

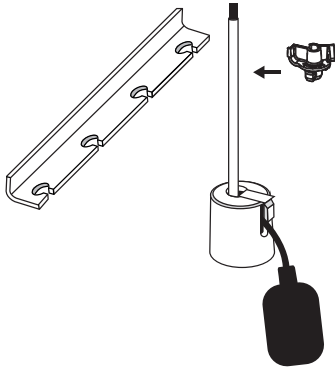


INSTALLATION INSTRUCTIONS

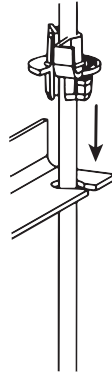
Rotation Cord Lock

WORKS BEST WITH: Horseshoe FARMD-Bar Flat or Angle - 3, 4, 6

1. Snap Cord Lock onto Vertical Float cable

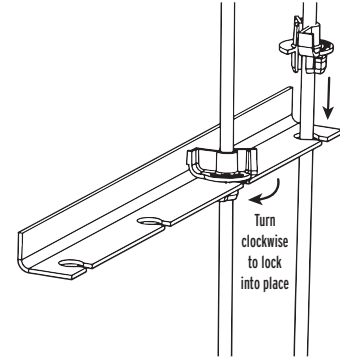


2. Drop Cord Lock on to the topside of the desired hole in the FARMD-Bar



3. Adjust the float cable to desired length

4. To lock cable in place, turn cord lock clockwise 1/4 turn



PERIMETER
PUMP & POWER

FARMD-Bar
System™

farmdbarsystems.com

Perimeterservice@icloud.com

604-988-4545